

**Power distribution box**

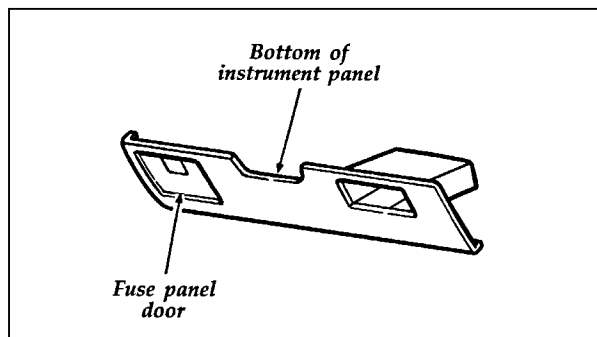
Fuse/CB/ Relay Loc.	Fuse Amp. Rating	Description
1	20 amp	<ul style="list-style-type: none"> <li>• Audio power</li> </ul>
2	(15 amp)	<ul style="list-style-type: none"> <li>• Fog lamps</li> <li>• 200 Amp alternator (Diesel ambulance only)</li> </ul>
3	30 amp	<ul style="list-style-type: none"> <li>• Daytime running lamps (Canada only)</li> <li>• Headlamp flash-to-pass</li> <li>• Horn</li> </ul>
4	25 amp	<ul style="list-style-type: none"> <li>• Trailer back-up lamps</li> <li>• Trailer running lamps</li> </ul>
5	15 amp	<ul style="list-style-type: none"> <li>• Back-up lamps</li> <li>• Daytime running lamp module (DRL) (Canada only)</li> <li>• Oxygen sensor heater</li> <li>• Trailer battery charge relay</li> </ul>
6	10 amp	<ul style="list-style-type: none"> <li>• Trailer right-hand stop/turn lamp</li> </ul>
7	10 amp	<ul style="list-style-type: none"> <li>• Trailer left-hand stop/turn lamp</li> </ul>
8	30 amp maxi	<ul style="list-style-type: none"> <li>• Injector driver module</li> </ul>
9	30 amp (Gas) 20 amp (Diesel)	<ul style="list-style-type: none"> <li>• Powertrain control system</li> </ul>
10	20 amp maxi	<ul style="list-style-type: none"> <li>• Instrument panel fuses: 15, 18</li> <li>• Starter relay coil</li> </ul>
11	—	Not used
12	Diode	<ul style="list-style-type: none"> <li>• Powertrain control system relay coil</li> </ul>
13	50 amp maxi	<ul style="list-style-type: none"> <li>• Instrument panel fuses: 5, 9, 13</li> </ul>
14	—	Not used
15	50 amp maxi	<ul style="list-style-type: none"> <li>• Instrument panel fuses: 1, 7</li> <li>• Power distribution box: fuse 5</li> </ul>
16	20 amp maxi	<ul style="list-style-type: none"> <li>• Fuel pump feed (Gas engine)</li> </ul>

Fuse/CB/ Relay Loc.	Fuse Amp. Rating	Description
17	50 amp maxi	<ul style="list-style-type: none"> <li>• Alternator charge lamp</li> <li>• Idle position switch (Diesel)</li> <li>• Instrument panel fuses: 2, 6, 11, 14, 17</li> <li>• Power distribution box: fuse 22</li> </ul>
18	30 amp maxi	<ul style="list-style-type: none"> <li>• Trailer battery charge</li> </ul>
19	40 amp maxi	<ul style="list-style-type: none"> <li>• Headlamps</li> </ul>
20	50 amp maxi	<ul style="list-style-type: none"> <li>• Instrument panel fuses: 4, 8, 12, 16</li> </ul>
21	30 amp maxi	<ul style="list-style-type: none"> <li>• Trailer brake feed</li> </ul>
22	20 amp maxi (Gas) 30 amp (Diesel)	<ul style="list-style-type: none"> <li>• Distributor pickup (Gas engine)</li> <li>• Fuel line heater (Diesel)</li> <li>• Glow plug controller (Diesel)</li> <li>• Ignition coil (Gas engine)</li> <li>• Powertrain control system relay coil</li> <li>• Thick film integrated (TFI) module (Gas engine)</li> </ul>
Relay 1		<ul style="list-style-type: none"> <li>• Powertrain control system</li> </ul>
Relay 2		<ul style="list-style-type: none"> <li>• Fuel pump (Gas engine)</li> <li>• Injector driver module (IDM relay) (Diesel)</li> </ul>
Relay 3		<ul style="list-style-type: none"> <li>• Horn</li> </ul>
Relay 4		<ul style="list-style-type: none"> <li>• Trailer tow lamps</li> </ul>

## Checking and Replacing Fuses

If you need to check a fuse, follow these steps:

1. In order to find the fuse panel, you must first remove the cover from the lower edge of the instrument panel. You can do this by pulling on handle to disengage the fasteners.



### Fuse panel cover

2. On the fuse panel cover, find the number of the fuse you want to check. The diagram on the cover tells you where to locate the fuse on the panel.

The underside of the cover also contains a fuse pulling tool in case you need to replace a blown fuse.

3. Check the fuse to see if it is blown. Look through the clear side of the fuse to see if the metal wire inside is separated. If it is, the fuse is blown and should be replaced.